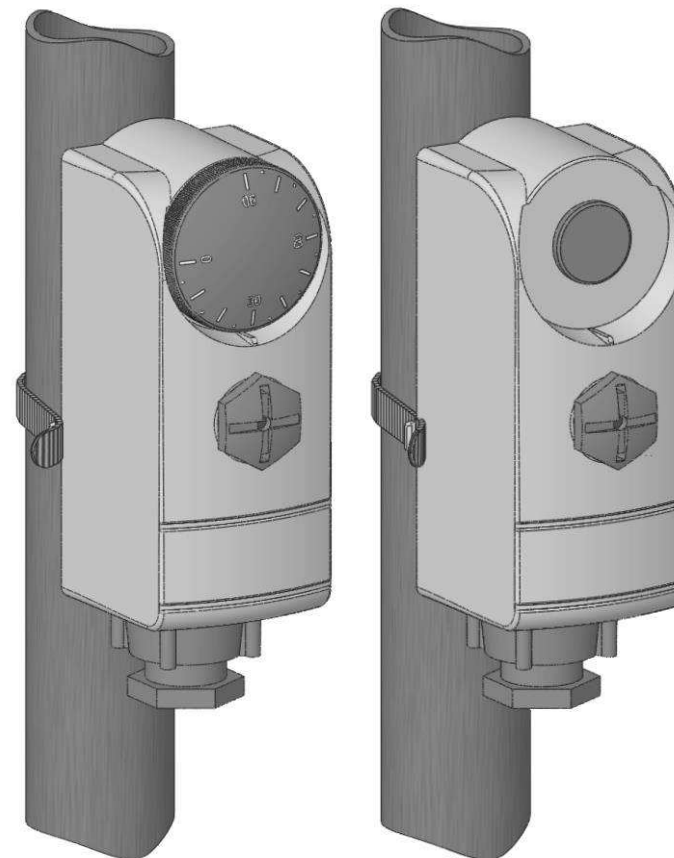


WTC-ES / WTC-IS / WTC-ISMR



Thermostat contact
 Contact Thermostat
 Anlegethermostat
 Contact Thermostaat
 Termostato a contatto
 Termostato de contacto
 Anligningstermostat
 Накладной термостат

DESCRIPTION

GB

Contact thermostat with bulb to control the water temperature of your water floor heating system or others. The fixation with spring clip (provided L=230mm) facilitates the assembly and assures a very good thermal contact between the thermostat and pipe.

TECHNICAL CHARACTERISTICS

Max. contact temperature	110°C
Setting temperature range	30 °C – 90°C
Differential	5°C
Protection	IP40
Materials Cover / Base	ABS V0 / Galvanised steel
Contacts rating	16 (4)A 250VAC / 6 (1)A 400VAC
Product conformed to :	UE 811/2013 and 2010/30/UE
Classification :	I
Contribution :	(1%)